

SU780XLE

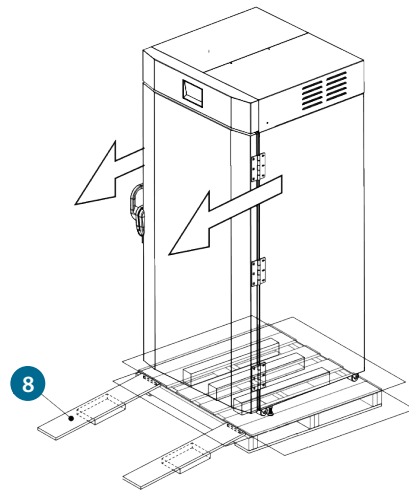
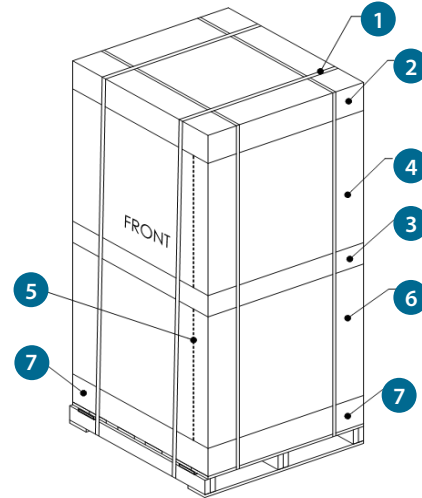
Unpacking & Unloading Procedure:

Caution:

Tipping Hazard

The unloaded freezer is TOP HEAVY. Take care in moving and installation. Do not pitch the freezer more than 12 degrees from horizontal. Doing so may cause it to tip over.

1. Remove strapping (1).
2. Remove the top-cover (2) (comprised of wooden frame & cardboard box lid).
3. Remove taping (3) from the middle of cardboard shipping unit. Note: the shipping unit is configured as two square cardboard sections covering the top portion and lower portion of the freezer separately.
4. Remove the top section of the shipping unit (4). Cut the cardboard using a utility knife along the cutting line (5), located at the back of the unit.
CAUTION: Do not cut too deeply through the cardboard, as doing so may damage the freezer.
5. Remove cardboard/foam supports.
6. Remove the bottom portion of cardboard shipping unit (6).
7. Remove plastic cover from the freezer.
8. Collapse all side walls of the bottom portion of the cardboard shipping unit (7) to move the freezer.
9. Remove two ramps (8) from the bottom portion of the shipping unit and place them at the front of the pallet, hooking the ramp - slot to the metal plate located at the front of the shipping unit.
10. Make sure the two ramps are spaced appropriately for the width of the casters and are parallel to each other.
11. Move the freezer slowly onto the ramp, with one person guiding each side for balance. Have a third person assist in slowly guiding the freezer down the ramp to the floor to avoid damage to equipment, facilities, or injury to personnel.



6000 Poston Road Athens, Ohio 45701, USA t: 740.274.7900 / 855.274.7900 f: 740.274.7901 www.stirlingultracold.com

©2017 Stirling Ultracold, Global Cooling, Inc. All Rights Reserved.
Global Cooling technology is manufactured under U.S. and International patents.
Specifications subject to change without notice. Refer to www.stirlingultracold.com for the latest specifications.