

TECHNICAL DATA SHEET

MODEL SU780XLE

Upright Ultra-Low Temperature Freezer



SPECIFICATIONS

Application	Storage of general (non-flammable) laboratory materials
Storage Volume	780 liters (27.5 cu. ft.)
Storage Capacity	600 standard 2" boxes in optional racks, optional 700-box system, available separately
Temperature Range	-20°C to -86°C @ 32°C (90°F) ambient, adjustable to 1°C increments
Electric Power	100-240VAC at 50/60Hz (Japan) 120-240VAC at 50/60Hz (All other regions)
Maximum Power (Current)	1200 watts (10 amps @120V, 5 amps @240V), nominal
Auto-Voltage Capability	120-240VAC at 50/60Hz (automatically adjusts)
Electric Supply Rating	15 amp or greater grounded circuit
Power Plugs Available	NEMA 5-15P plug requires standard NEMA 5-15R receptacle (120V); Length: 2261 mm (89 in.), or NEMA 5-15P plug requires standard NEMA 5-15R receptacle (120V); Length: 3048 mm (120 in.), or NEMA 6-15P plug requires standard NEMA 6-15R receptacle (240V); Length: 2997 mm (118 in.) <i>Specify when ordering</i>
Certification/Agency Listing	cULus, CE, and ENERGY STAR®
Noise	Advanced noise abatement, < 45 dB(A) at 1 meter from front of freezer in steady state operation
Indoor/Outdoor Use	Indoor use only
Application Environment	Non-corrosive, non-flammable, non-explosive
Ambient Operating Temperature	+5°C to +35°C (41°F to 95°F)
Useful Life	12 years, nominal

REFRIGERATION SYSTEM

Cooling Engine	Helium charged free-piston Stirling engine with continuous modulation
Heat Transport System	Gravity driven thermosiphon
Refrigerant	R-170 (Ethane) 90 grams
Evaporator	Cold wall (inner liner)
Heat Rejection	Finned heat exchanger with forced air cooling Air inlet: Above freezer door, below mechanical compartment Air outlet: Right side of top cover, upward
Defrost Method	Manual

CONTROLLER

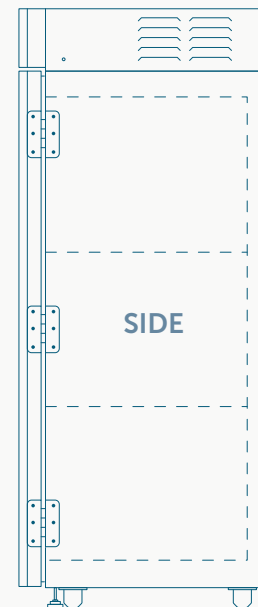
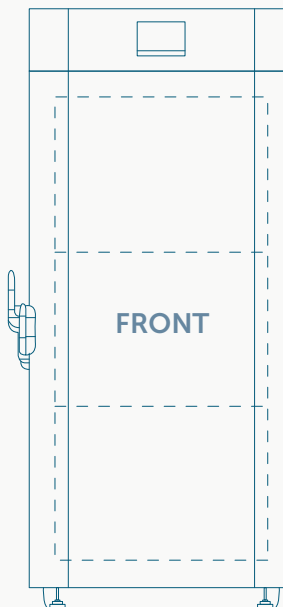
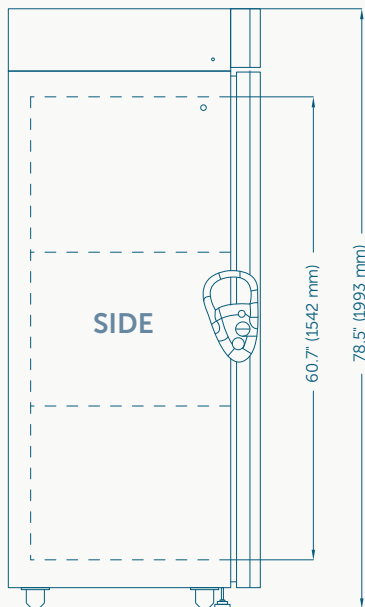
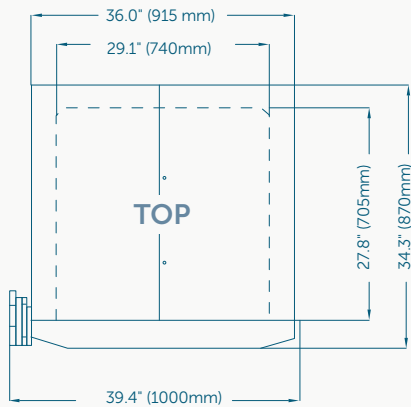
Interface	Graphical user interface with touchscreen controls
Controller Type	Microprocessor with touchscreen input and display
Security	Lockable door, optional PIN requirement built in
Warm and Cold Alarms	Fully adjustable
Control Sensor	One RTD (PT100 Class A)
Event Log	All alarms, door openings
Dry Contacts	Normally closed, normally open, common; activated by power outage or any alarm condition
Temperature Log	30 days available graphically
Battery Back-up	12-hour control battery back-up for touchscreen
Internet Connectivity	Optional Ethernet connection transmitting in BACnet™ or MQTT protocols Optional SenseAnywhere wireless temperature monitoring and logging

PERFORMANCE DATA

Steady State Energy Use (ENERGY STAR® Final Test Method)	6.67 kWh/day at -75°C (Weighted Average)
Pull-Down from 25°C Ambient	6.5 hours at -80°C (Empty Cabinet)
Recovery from Door Opening (ENERGY STAR® Final Test Method)	35 minutes at -80°C
Warm-up Profile	2.5 hours to -60°C at -80°C (Empty Cabinet) 6.5 hours to -40°C at -80°C (Empty Cabinet)
Heat Dissipation	981 BTU/h (load to HVAC) at -80°C (Empty Cabinet)

DIMENSIONS AND CONSTRUCTION

Interior (H x D x W)	1542 x 705 x 740 mm (60.7 x 27.8 x 29.1 in.)
Exterior (H x D x W)	1994 x 870 x 915 mm (78.5 x 34.3 x 36 in.)
Net Weight, Empty	284 kg (625 lbs.)
Shipping Dimensions (H x D x W)	2184 x 1092 x 1118 mm (86 x 43 x 44 in.)
Shipping Weight	352 kg (775 lbs.)
Insulation	High performance vacuum insulated panels and polyurethane foam using Ecomate® environmentally friendly, SNAP-compliant blowing agent
Gasket Heater	User programmable duty cycle
Shelves	2 stainless steel, adjustable in 12.7 mm (0.5 in.) increments
Inner Doors	3 insulated with magnetic latches
Options	Chart recorder, CO2 and LN2 back-up systems, additional shelves, international plug(s), 4-20 mA - Temperature transmitter: 0°C to -100°C (4-20mA), loop power (8-35 Vdc) is required



6000 Poston Road, Athens,
Ohio 45701, USA

t: 740.274.7900 / 855.274.7900
f: 740.274.7901
www.stirlingultracold.com

©2021 Stirling Ultracold, a BioLife Solutions
company. All Rights Reserved.

Global Cooling technology is manufactured under
U.S. and International patents. Stirling Ultracold is
a trademark of Global Cooling, Inc. Specifications
subject to change without notice. Refer to
stirlingultracold.com for the latest specifications.

**SU780XLE Ultra-Low
Temperature Freezer**

SAL-SPC-00001-E
08.19.2021

STIRLING POWER